



Installation instructions for PZ4AL-02932-00, PZ4AL-02933-00  
Under Run Protective Shield Engine Bay

# TOYOTA Hilux

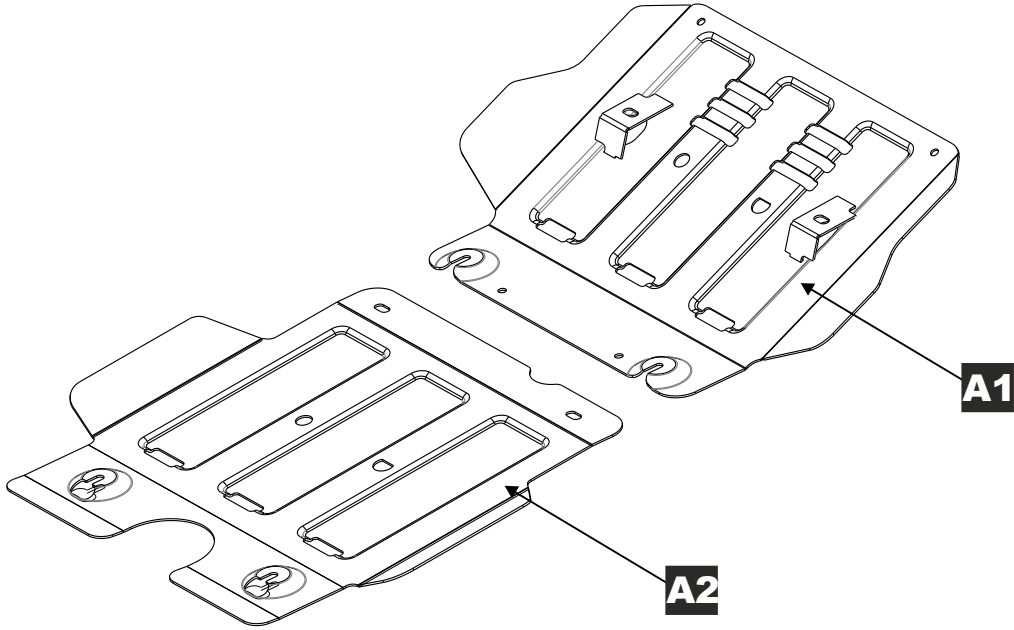


# TOYOTA Fortuner



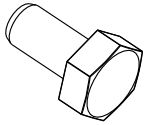
	<b>Hilux</b>	<b>Fortuner</b>
Model year:	<b>2015-</b>	<b>2017-</b>
Applicability:	GUN125L-DTFSHW; GUN125L-DTFMHW GUN126L-DTTMHW; GUN126L-DTTHHW	GUN156L-STTMH GUN156L-STTSH TGN156L-STTSKK TGN156L-STMLKK
Part Number:		Steel: PZ4AL-02932-00 Aluminium: PZ4AL-02933-00
 Weight:		Steel: 10.93 kg Aluminium: 6.01 kg
 Installation Time:		30 min

PZ4AL-02932-00, PZ4AL-02933-00



PZ4AL-02932-60

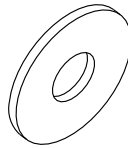
**B**



M8x30

6x

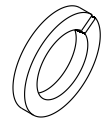
**C**



d=8

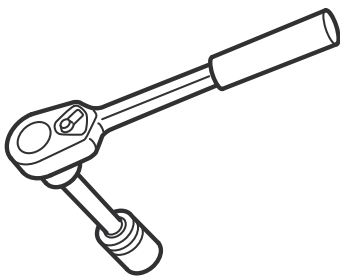
6x

**D**



d=8

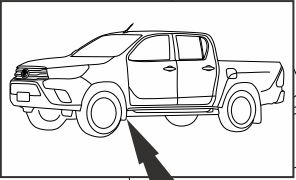
6x



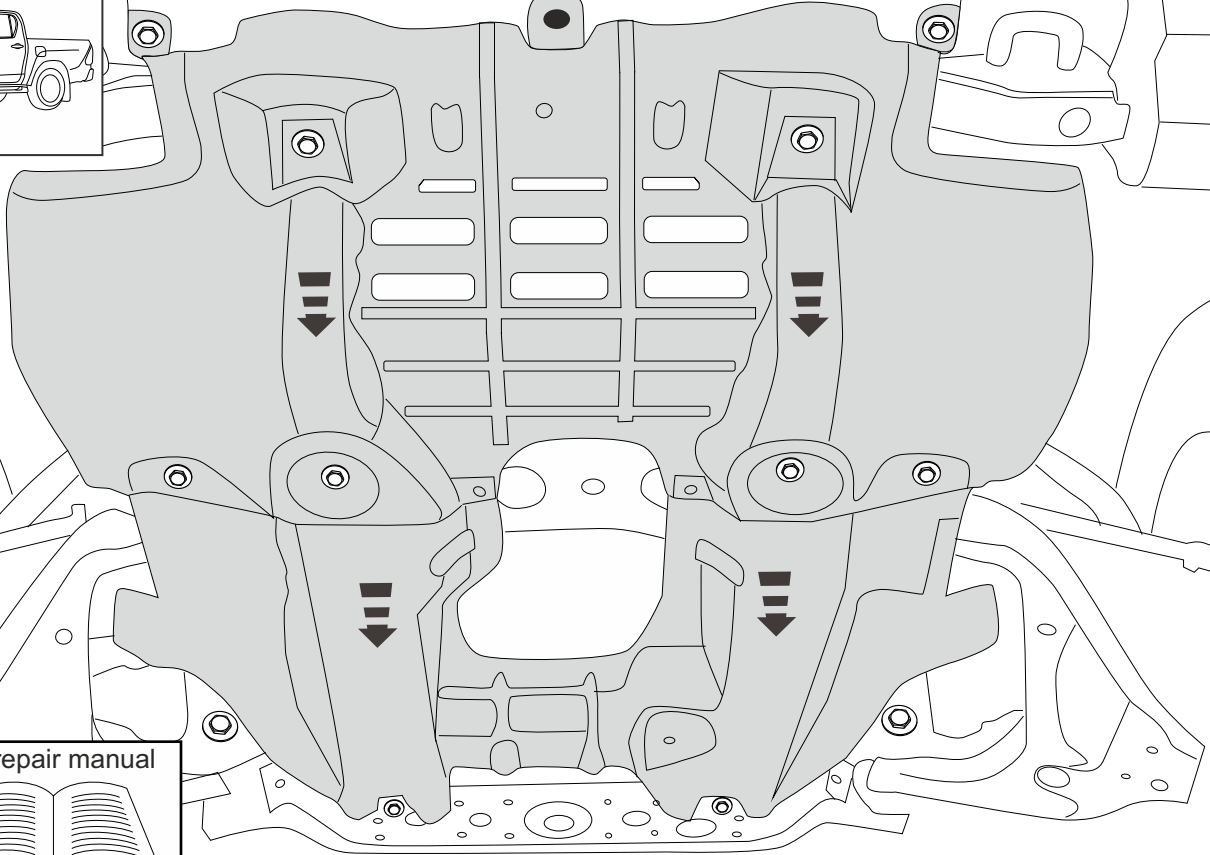
13 mm



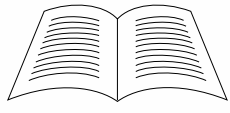
1



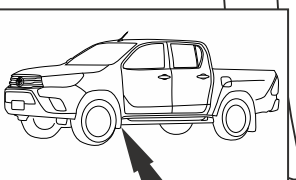
FWD ↑



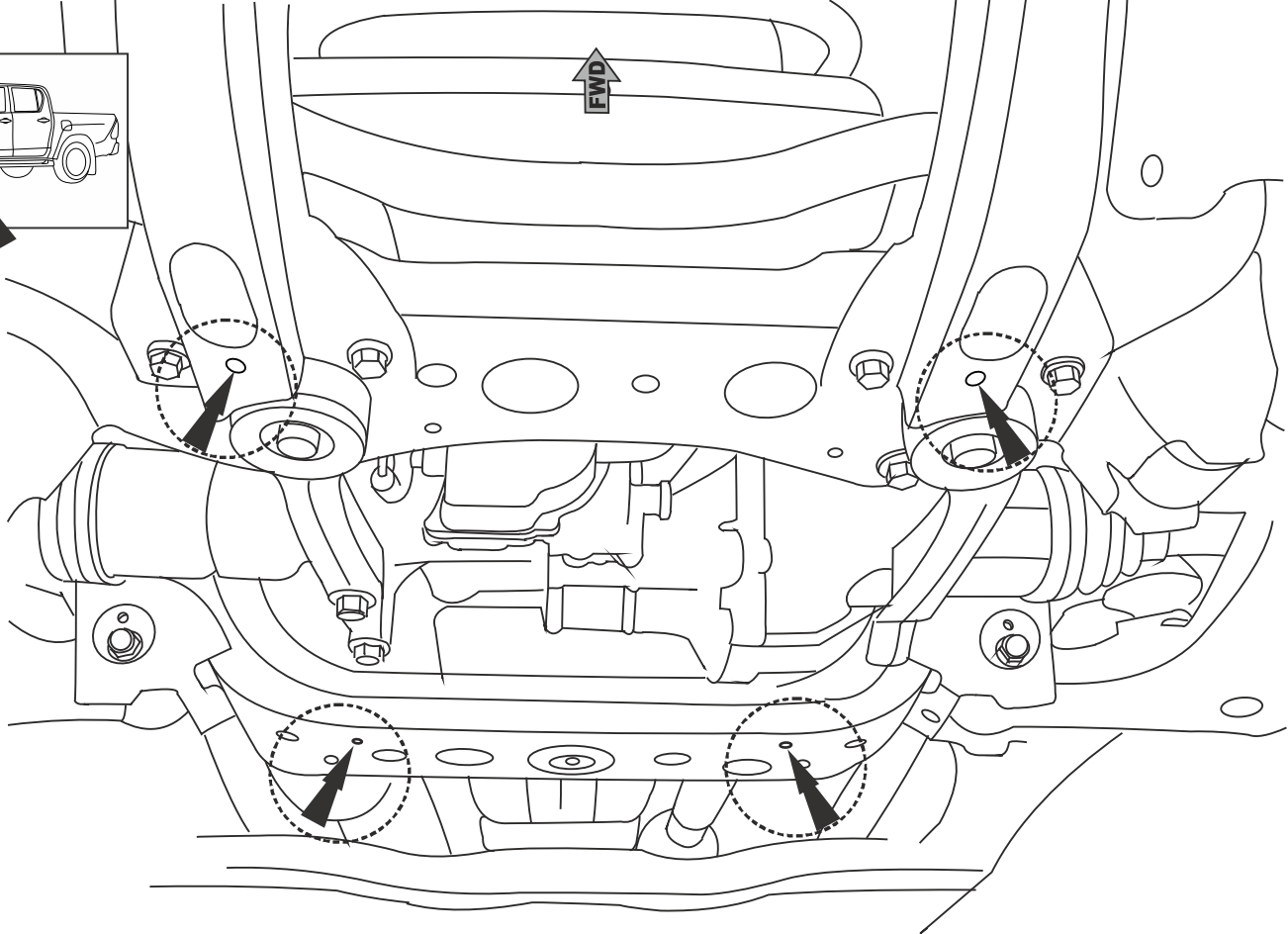
see repair manual



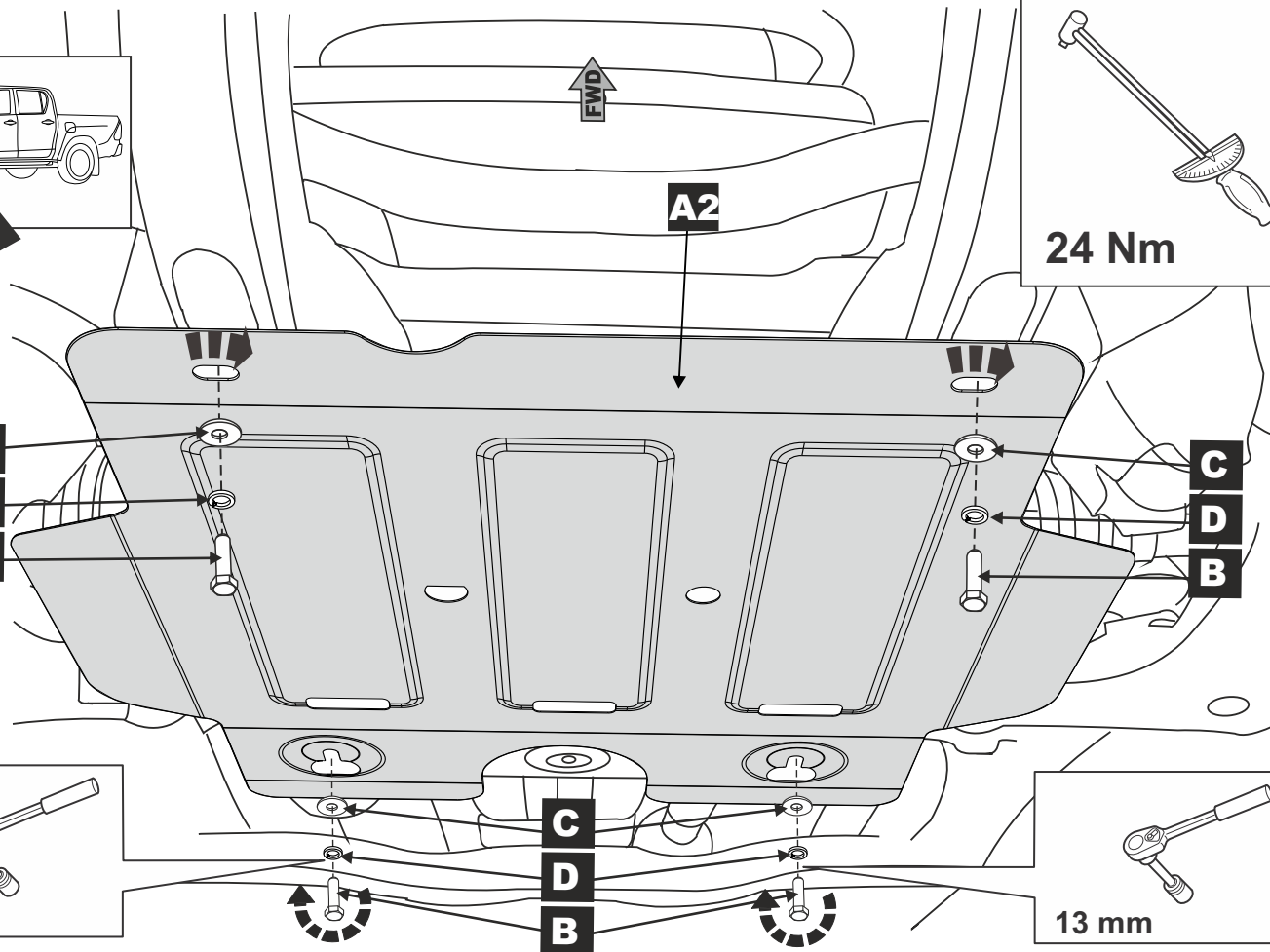
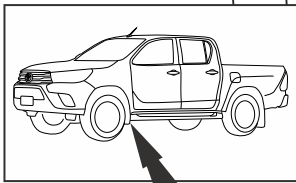
2



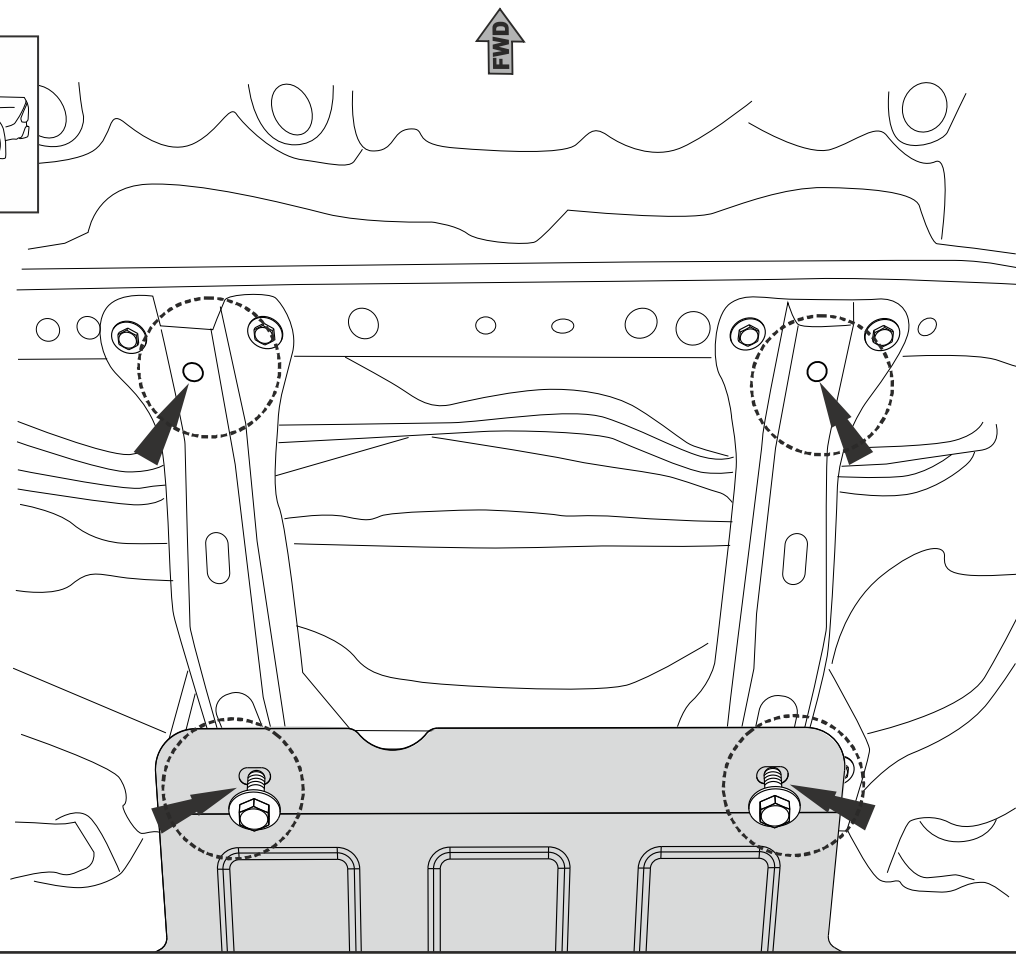
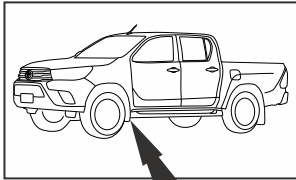
FWD ↑



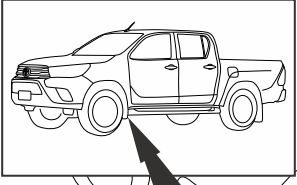
**3**



**4**



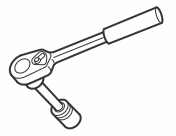
**5**



**FWD**

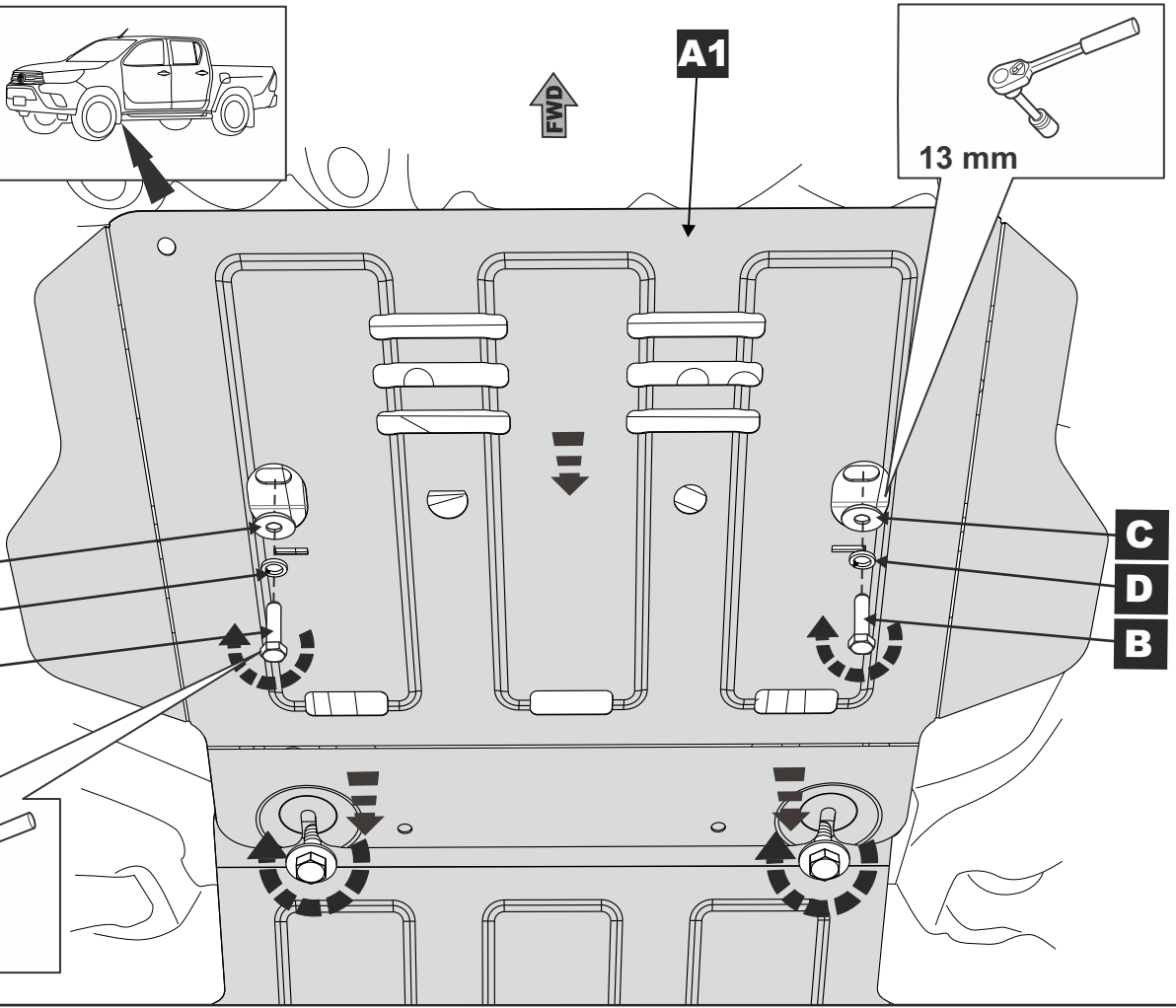
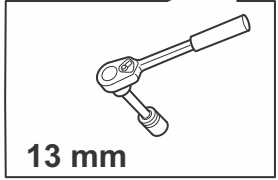
**A1**

**13 mm**

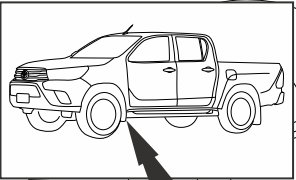


**C**  
**D**  
**B**

**C**  
**D**  
**B**



**6**



**FWD**

